

Frances Andrew

Site Furnishings Ltd



Waterfront Series

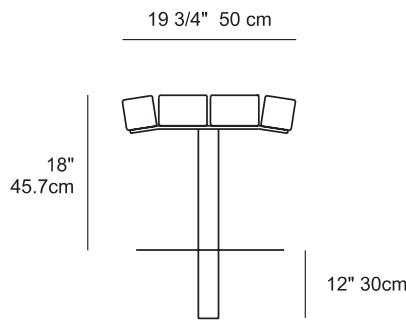
General Specifications:

Wood: Clear Select Cedar. Wood members 4" (10.1cm) x 4" (10.1 cm) and 4" (10.1cm) x 6" (15.2cm) with 3/4" (1.9cm) radius on all edges and ends. Cedar is smooth sanded and CCA pressure treated.

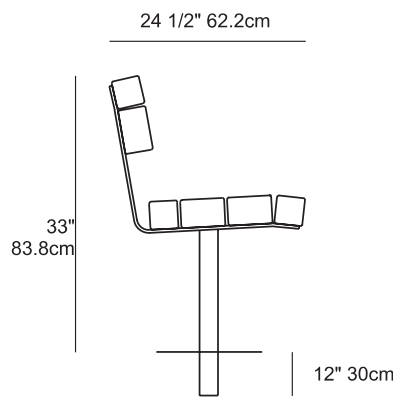
Metal: Mild steel, wheel-abraded to bare metal, then precisely fabricated to final shape. The metal is coated with Polyester, electrostatically applied, and baked at a high temperature to produce a "mar-resistant" finish.

Hardware: An exclusive nut design and bolt-through construction create a single, solid unit. A special wrench for vandal-resistant hardware is provided with each bench. All hardware is professionally finished with our baked-on Polyester Powder Coating.

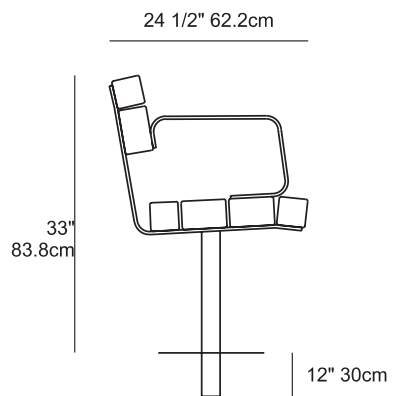
W35-51



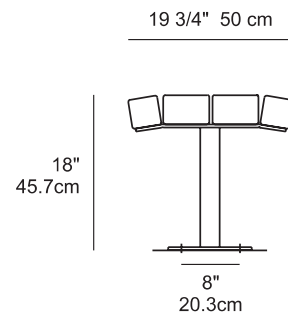
W35-61



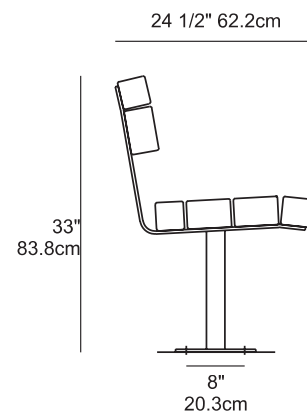
W35-61a



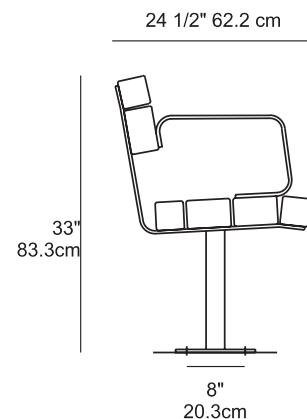
W35-52



W35-62



W35-62a

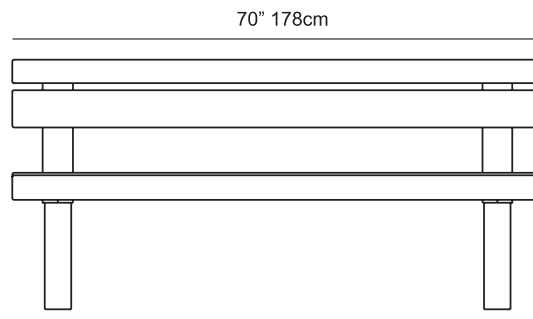


Options:

Metal Colors: Make your choice from one of eighteen standard paint colors. Or, for an additional charge, choose from one of over 160+ custom paint colors. Standard color chips and custom color charts are available upon request.

Accessories:

To give your project that professional finish, may we suggest the addition of our Series 19 receptacles. For a complete listing of our receptacles, and other furnishings, please refer to the respective areas in our catalog.



58" 147cm