

Frances Andrew

Site Furnishings Ltd

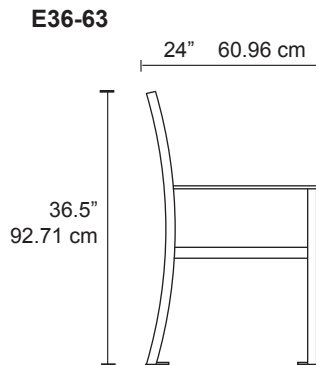


Estate Series

General Specifications:

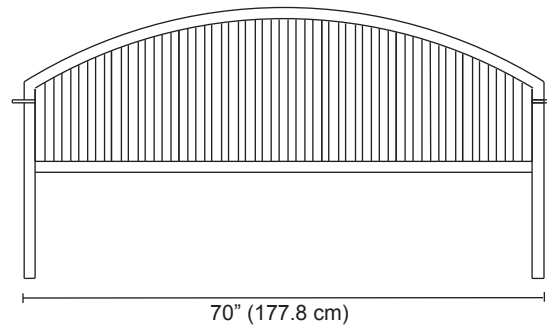
Metal: Mild steel, wheel-abraded to bare metal, then precisely fabricated to final shape. The metal is coated with Polyester, electrostatically applied, and baked at high temperature to produce a "mar-resistant" finish.

Hardware: Stainless steel bolts, powder-coated to match frame, are provided with all Estate Series benches. All hardware is professionally finished with our baked-on Polyester Powder Coating.



Options:

Metal Colors: Make your choice from one of eighteen standard paint colors. Or, for an additional charge, choose from one of over 160+ custom paint colors. Standard color chips and custom color charts are available upon request.



Accessories:

To help give your project that professional finish, may we suggest the addition of our Series 31 receptacles.