

Frances Andrew

Site Furnishings Ltd



County Series

General Specifications:

Wood: Ipe hardwood. Wood members 1 1/2" (3.7cm) x 2 1/2" (6 cm) with 1/4" (0.63cm) radius on edges and ends. Ipe is smooth sanded and sealed.

Metal: Mild steel, wheel-abraded to bare metal, then precisely fabricated to final shape. The metal is coated with Polyester, electrostatically applied, and baked at a high temperature to produce a "mar-resistant" finish.

Hardware: An exclusive nut design and bolt-through construction create a single, solid unit. A special wrench for vandal-resistant hardware is provided with each bench. All hardware is professionally finished with our baked-on Polyester Powder Coating.

Options:

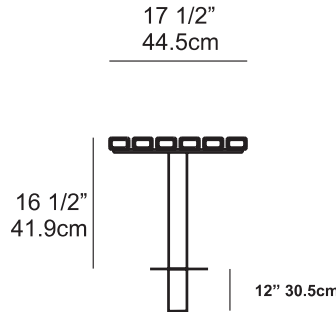
Wood: Non-standard wood (such as Oak, or maple) may be substituted for Ipe for an additional cost.

Metal Colors: Make your choice from one of eighteen standard paint colors. Or, for an additional charge, choose from one of over 160+ custom paint colors. Standard color chips and custom color charts are available upon request.

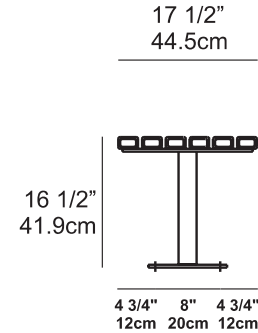
Accessories:

To give your project that professional finish, may we suggest the addition of our Series 19 receptacles. For a complete listing of our receptacles, and other furnishings, please refer to the respective areas in our catalog.

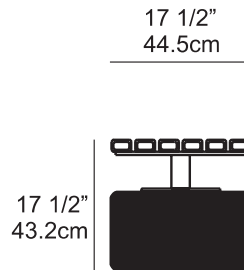
CB5-51



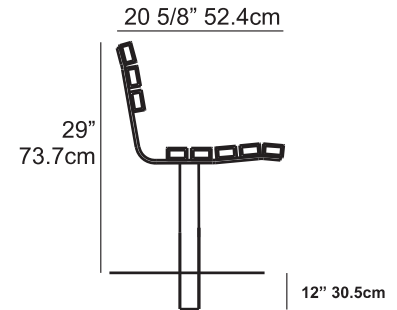
CB5-52



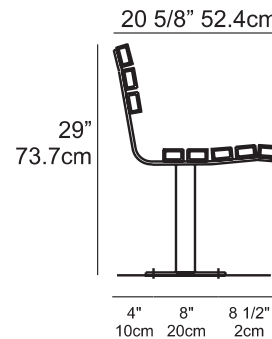
CB5-57



CB5-61



CB5-62



CB5-67

