

Frances Andrew

Site Furnishings Ltd



Victorian Series

General Specifications:

Wood: Ipe hardwood. Wood members 1 1/2" (3.7cm) x 2 1/2" (6.2cm) with 1/4" (0.63cm) radius edges and ends. Ipe is smooth sanded and sealed.

Metal: Standard aluminum cast to a precision pattern for maximum strength and durability. The metal is coated with Polyester, electrostatically applied, and baked at a high temperature to produce a "mar-resistant" finish.

Hardware: An exclusive nut design and bolt-through construction create a single, solid unit. A special wrench for vandal resistant hardware is provided with each bench. All hardware is professionally finished with our baked-on Polyester Powder Coating.

Options:

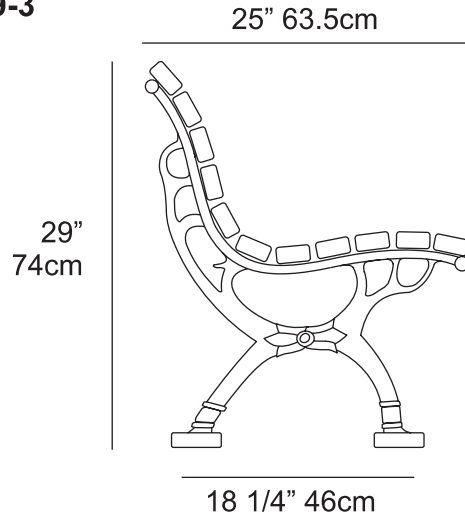
Wood: Non-standard wood (such as oak, or maple) may be substituted for Ipe for an additional cost.

Metal Colors: Make your choice from one of eighteen standard paint colors. Or choose from one of over 160+ custom paint colors for an additional charge. Standard color chips and custom color charts are available upon request. **Custom or personalized name casting on armrests is available.**

Accessories:

To give your project that professional finish, may we suggest the addition of our Series 19 receptacles. For a complete listing of our receptacles, and other furnishings, please refer to the respective areas in our catalog.

V99-3



V99-3a

