



#### General Specifications:

**Metal:** The Victorian series 99 bike racks are constructed of 3" (7.6 cm) diameter aluminum tubing. The metal is coated with Polyester, electrostatically applied, and baked at a high temperature to produce a "mar-resistant" finish.

**Hardware:** Vandal-resistant flush nuts are provided for all bolt-down and free-standing models. All hardware is professionally finished with our baked-on Polyester Powder Coating.

#### Options:

**Installation:** The Victorian 99 Series is available as in-ground or bolt-down.

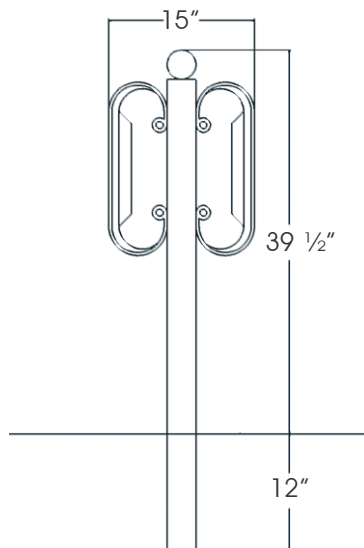
**In-ground:** The Victorian bike rack installs directly into concrete to a depth of 12".

**Bolt-down:** The Victorian bike rack is fastened directly to the ground using 3/8" bolts (not provided). Vandal-resistant flush nuts are included for additional security.

**Metal Colours:** Make your choice from one of eighteen standard paint colours. Or, for an additional charge, choose from one of over 160+ custom paint colours. Standard colour chips and Custom colour charts are available upon request. **Custom or personalized name casting on armrests is available.**

#### Dimensions:

V99-BR01



V99-BR02

