



General Specifications:

Metal: All Basic Series 29 bollards are constructed of 4" (10.2 cm) steel pipe. The metal is coated with Polyester, electrostatically applied and baked at a high temperature to produce a "mar-resistant" finish.

Hardware: Vandal-resistant flush nuts are provided for all bolt-down models. All hardware is professionally finished with our baked-on Polyester Powder Coating.

Options:

Installation: The Basic 29 Series is available as in-ground or bolt-down and removable or permanent.

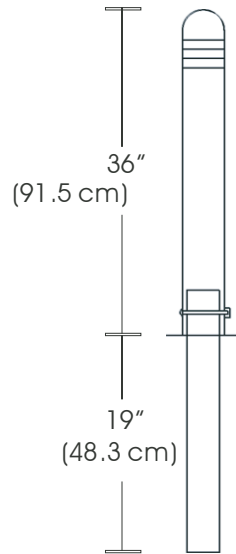
In-ground: The *removable* in-ground bollard, BB29-R1, fastens onto a steel sleeve which is installed directly into concrete to a depth of 19". See detail 'A' above. The *permanent* in-ground bollard, BB29-P1, installs directly into concrete to a depth of 24" (61 cm). See detail 'C' shown right.

Bolt-down: The *removable* bolt-down bollard, BB29-R2, is fastened directly to the ground using 3/8" bolts (not provided). Vandal-resistant flush nuts are included for additional security. See detail 'B' above right. The *permanent* bolt-down bollard, BB29-P2, fastens onto a steel plate which also fastens onto an in-ground steel base which is installed directly into concrete to a depth of 24" (61 cm). See detail 'D' shown far right.

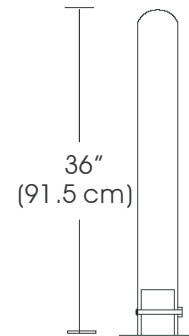
Metal Colours: Make your choice from one of eighteen standard paint colours. Or, for an additional charge, choose from one of over 160+ custom paint colours. Standard colour chips and Custom colour charts are available upon request. Reflective trim is also available.

Dimensions:

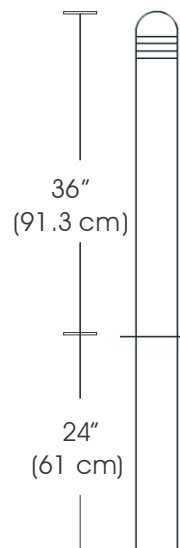
A)
BB29-R1



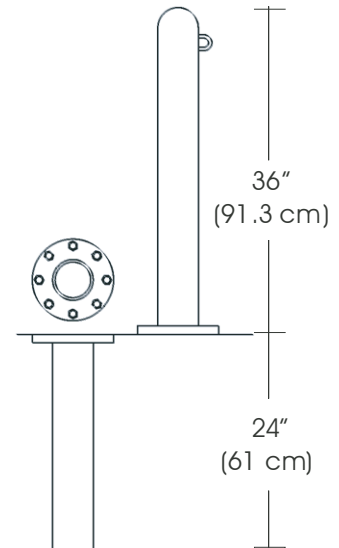
B)
BB29-R2



C)
BB29-P1



D)
BB29-P2



* This bollard is also available in a 6" diameter.