



General Specifications:

Metal: All Mega Series 32 bollards are constructed of 6" steel pipe. The metal is coated with polyester, electrostatically applied and baked at a high temperature to produce a "mar-resistant" finish.

Hardware: Vandal-resistant flush nuts are provided for all bolt-down models. All hardware is professionally finished with our baked-on plotester powder coating

Options:

Installation: The Mega 32 Series is available as in-ground or bolt-down and removable or permanent.

In Ground: The removable in-ground bollard, SB32-R1, fastens onto a steel sleeve which is installed directly into concrete to a depth of 19". See detail 'A' above. The permanent in-ground bollard, SB32-P1, installs directly into concrete to a depth of 24". See detail 'C' shown right.

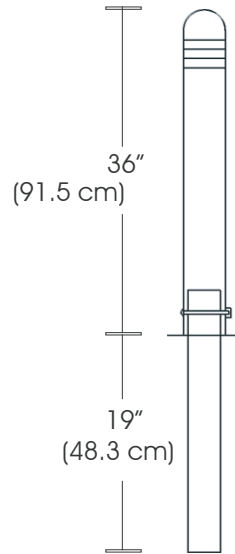
Bolt-down: The removable bolt-down bollard, SB32-R2, is fastened directly to the ground using 3/8" anchor bolts (not provided). Vandal-resistant flushnuts are included for additional security. See detail 'B' above right. The permanent bolt-down bollard, SB32-P2, fastens onto a steel plate which also fastens onto an in-ground steel base which is installed directly into concrete to a depth of 24". See detail 'D' shown far right.

Metal Colors: Make your choice from one of twenty-nine standard paint colors. For an additional charge, choose from one of over 175+ custom paint colors. Standard color chips and custom color charts are available upon request.

Dimensions:

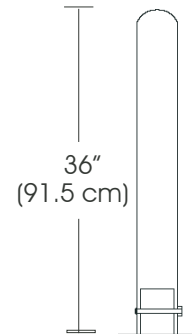
A)

SB32-R1



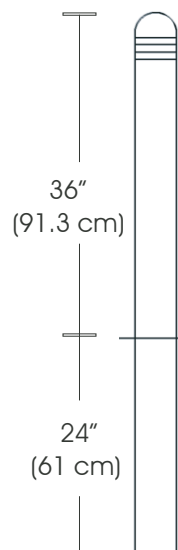
B)

SB32-R2



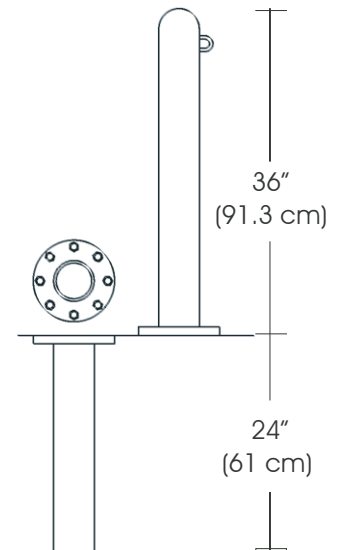
C)

SB32-P1



D)

SB32-P2



* This bollard is also available in a 4" diameter. See 29 Series.