



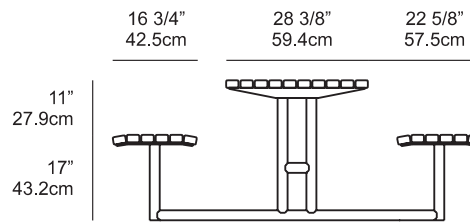
General Specifications:

Wood: Clear, select Ipe hardwood. Wood members 1 1/2" (3.7cm) x 2 1/2" (6.4 cm) with 1/4" (0.63cm) radius on edges and ends.

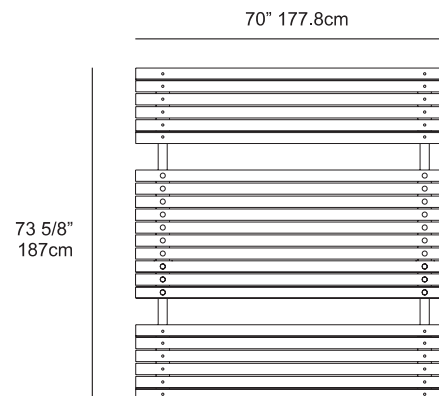
Metal: Mild steel, wheel-abraded to bare metal, then precisely fabricated to final shape. The metal is coated with Polyester, electrostatically applied, and baked at a high temperature to produce a "mar-resistant" finish.

Hardware: An exclusive nut design and bolt-through construction create a single, solid unit. A special wrench for vandal-resistant hardware is provided with each bench. All hardware is professionally finished with our baked-on Polyester Powder Coating.

T23-3



T23-3



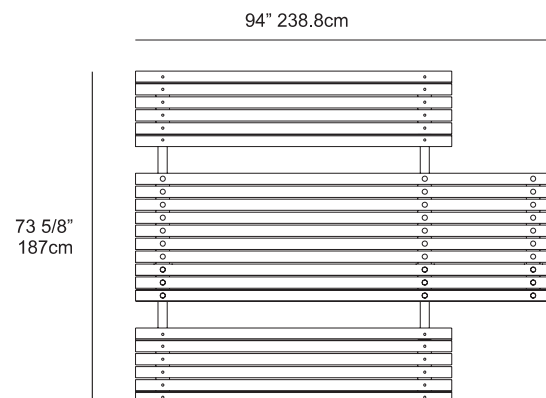
Options:

Wood: Non-standard wood (such as Oak, or Maple) may be substituted for Cedar for an additional cost.

Metal Colours: Make your choice from one of eighteen standard paint colours. Or, for an additional charge, choose from one of over 160+ custom paint colours. Standard colour chips and Custom colour charts are available upon request.

Also available with wood members 1 1/2" (3.7cm) x 6 1/2" (16.5 cm) with 1/4" (0.63cm) radius on edges and ends upon request.

T23-3h



Accessories:

To give your project that professional finish, may we suggest the addition of our Series 8 receptacles. For a complete listing of our receptacles, and other furnishings, please refer to the respective areas in our catalogue.