

Frances Andrew

Site Furnishings Ltd



Series 26 Tables

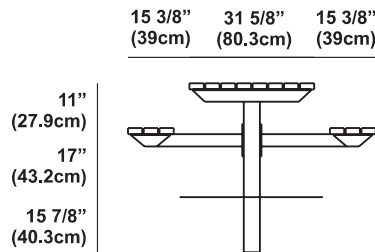
General Specifications:

Wood: Clear, select Ipe hardwood. Wood members 1-1/2" (3.8cm) x 3-1/2" (8.89cm) with 1/4" (0.64cm) radius on edges and ends. **1" x 6" also available upon request.**

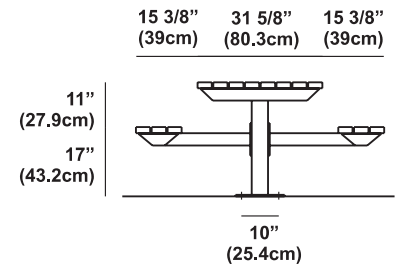
Metal: Mild steel, wheel abraded to bare metal, then precisely fabricated to final shape. The metal is coated with polyester, electrostatically applied, and baked at a high temperature to produce a mar resistant finish.

Hardware: An exclusive nut design and bolt through construction create a single, solid unit. A special wrench for vandal resistant hardware is supplied with each table. All hardware is professionally finished with our baked on polyester powder coating.

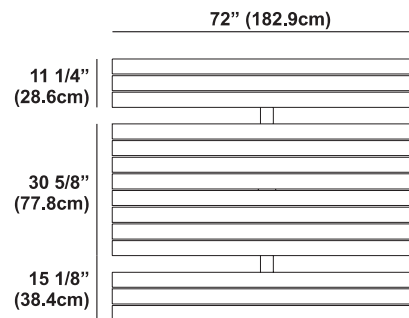
T26-2412



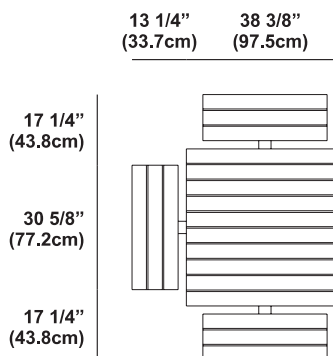
T26-2422



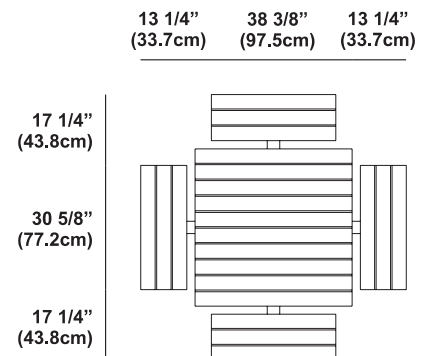
T26-2412



T26-2413



T26-2414



Options:

Mounting Options: In ground or bolt down. Custom mounting methods available. Please ask for details.

Metal Colors: Make your choice from one of our 29 standard colors or, for an additional charge, choose from over 180+ custom paint colors.

Wheelchair accessible models available.

Accessories:

To give your project that professional finish, we suggest the addition of our Series 8 Urban receptacle. For a complete listing of our receptacles, bike racks, benches & bollards, please refer to the respective areas in this catalog or check out our site online at www.francesandrew.com.