



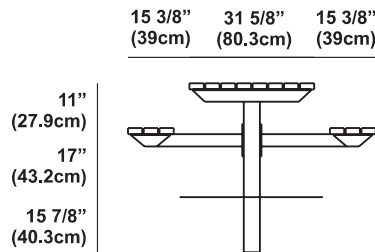
#### General Specifications:

**Wood:** Clear, select Ipe hardwood. Wood members 1-1/2" (3.8cm) x 3-1/2" (8.89cm) with 1/4" (0.64cm) radius on edges and ends. **1" x 6" also available upon request.**

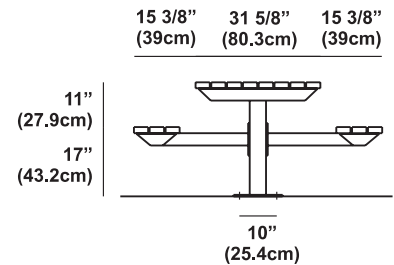
**Metal:** Mild steel, wheel abraded to bare metal, then precisely fabricated to final shape. The metal is coated with polyester, electrostatically applied, and baked at a high temperature to produce a mar resistant finish.

**Hardware:** An exclusive nut design and bolt through construction create a single, solid unit. A special wrench for vandal resistant hardware is supplied with each table. All hardware is professionally finished with our baked on polyester powder coating.

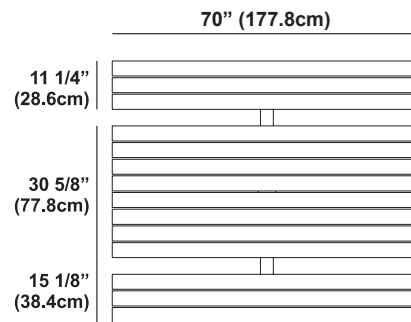
#### T26-2412



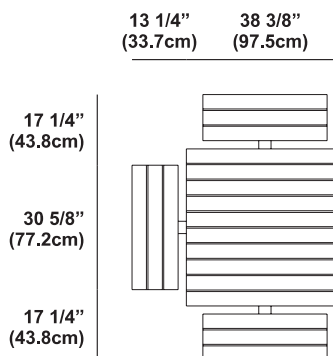
#### T26-2422



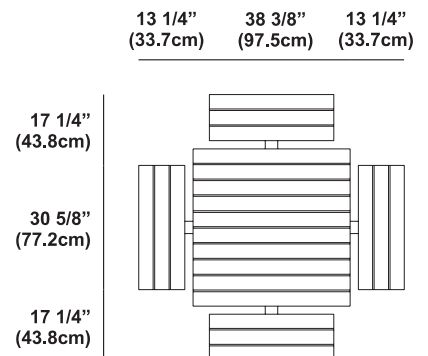
#### T26-2412



#### T26-2413



#### T26-2414



#### Options:

**Mounting Options:** In ground or bolt down. Custom mounting methods available. Please ask for details.

**Metal Colors:** Make your choice from one of our 29 standard colors or, for an additional charge, choose from over 180+ custom paint colors.

Wheelchair accessible models available.

#### Accessories:

To give your project that professional finish, we suggest the addition of our Series 8 Urban receptacle. For a complete listing of our receptacles, bike racks, benches & bollards, please refer to the respective areas in this catalog or check out our site online at [www.francesandrew.com](http://www.francesandrew.com).